

DOUBLE-BALANCED MIXER

CONNECTORIZED MODEL: CLK-6000

ULTRA WIDE BANDWIDTH

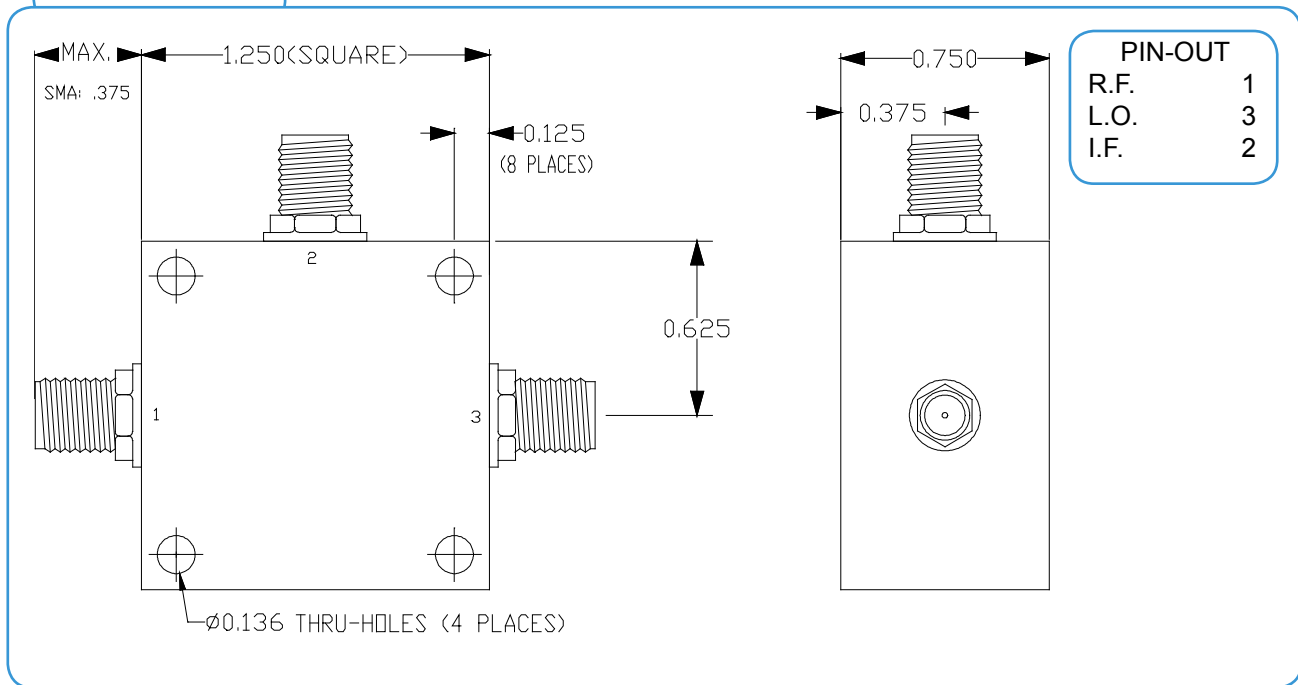
1 - 6000 MHz

SPECIFICATIONS: (Rev. B 02/22/07)

Operating Frequency:	1 - 6000 MHz	Conversion Loss (dB): (Typ/Max)	8.5 / 10.0
LO / RF:	DC - 700 MHz	LO Power:	+10 dBm (Nom)
IF:	(Typ/Min)	Input IP3 (dBm):	+15 (Typ)
Isolation (dB):		1 dB Compression Point:	+3 dBm (Typ)
LO/RF	25/15	Impedance:	50 Ohms (Nom)
LO/IF	18/12	Operating Temperature Range:	-55°C to +85°C
RF/IF	15/12		



MECHANICAL OUTLINE: 110



DOUBLE-BALANCED MIXER

CONNECTORIZED MODEL: CLK-6000

ULTRA WIDE BANDWIDTH

1 - 6000 MHz

PERFORMANCE PLOTS

